

FLAT No.8&9 REMOVED @1st FLOOR

REFUGE FLAT
BUILDING No. 1 FLAT No.9
8/13/18th FLOOR (P-LINE AREA)=
=589.80 - 37.64(REFUGE) =552.16sm.

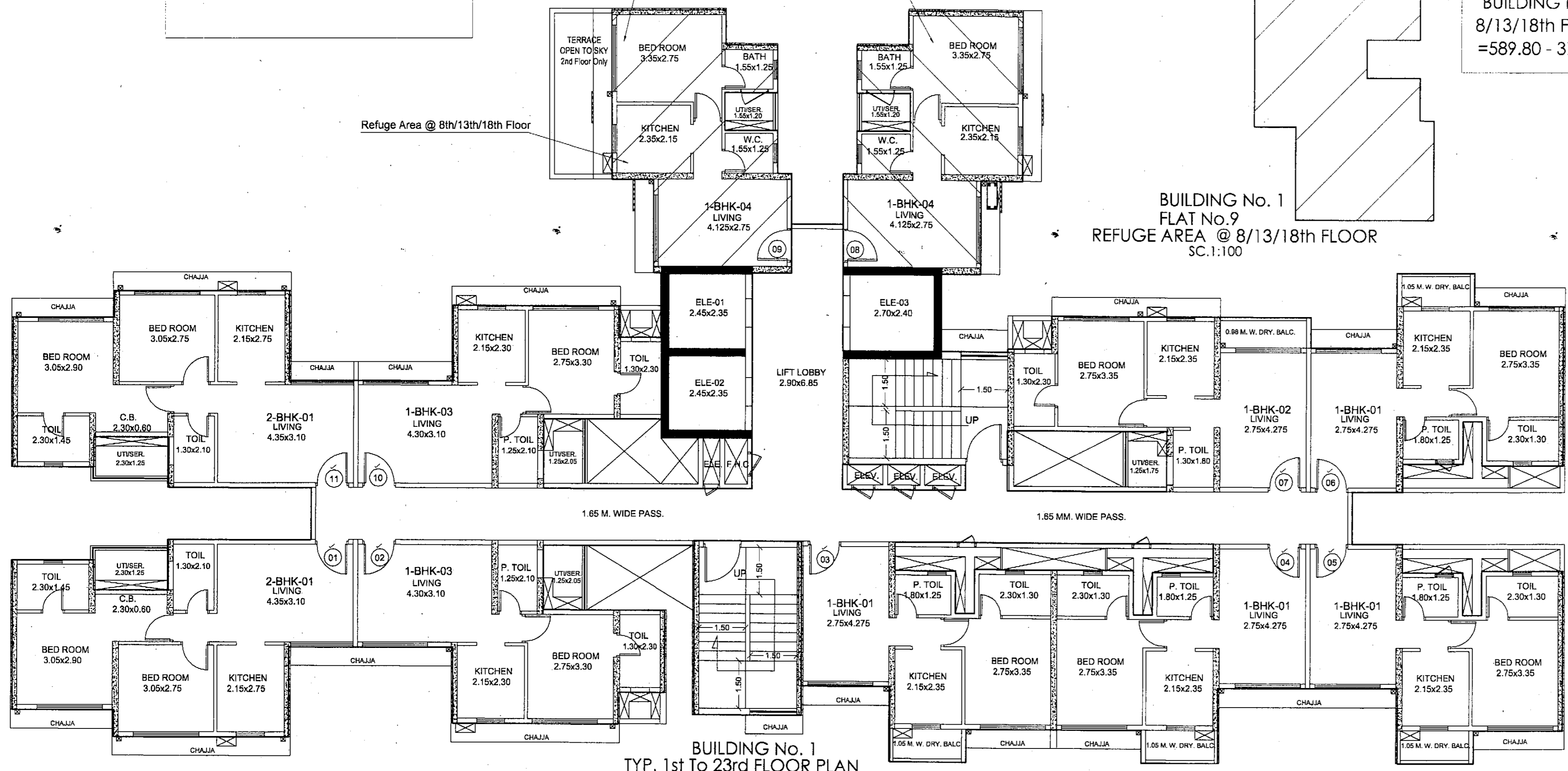
PLOT-B
BUILDING No. 1

Stamps of Approval/RE-Approval/Completion of Plans:

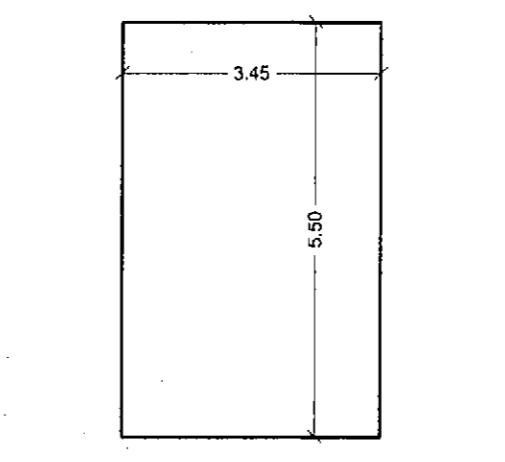
OFFICE OF THE KALYAN DOMBIVLI MUNICIPAL CORPORATION, KALYAN.
Building Permit No. :-
EDMC/TDP/BP/27 Village/2021-22/01219
Date :- 23/07/2021
SANCTIONED



ASSISTANT DIRECTOR OF TOWN PLANNING
Kalyan-Dombivli Municipal Corporation



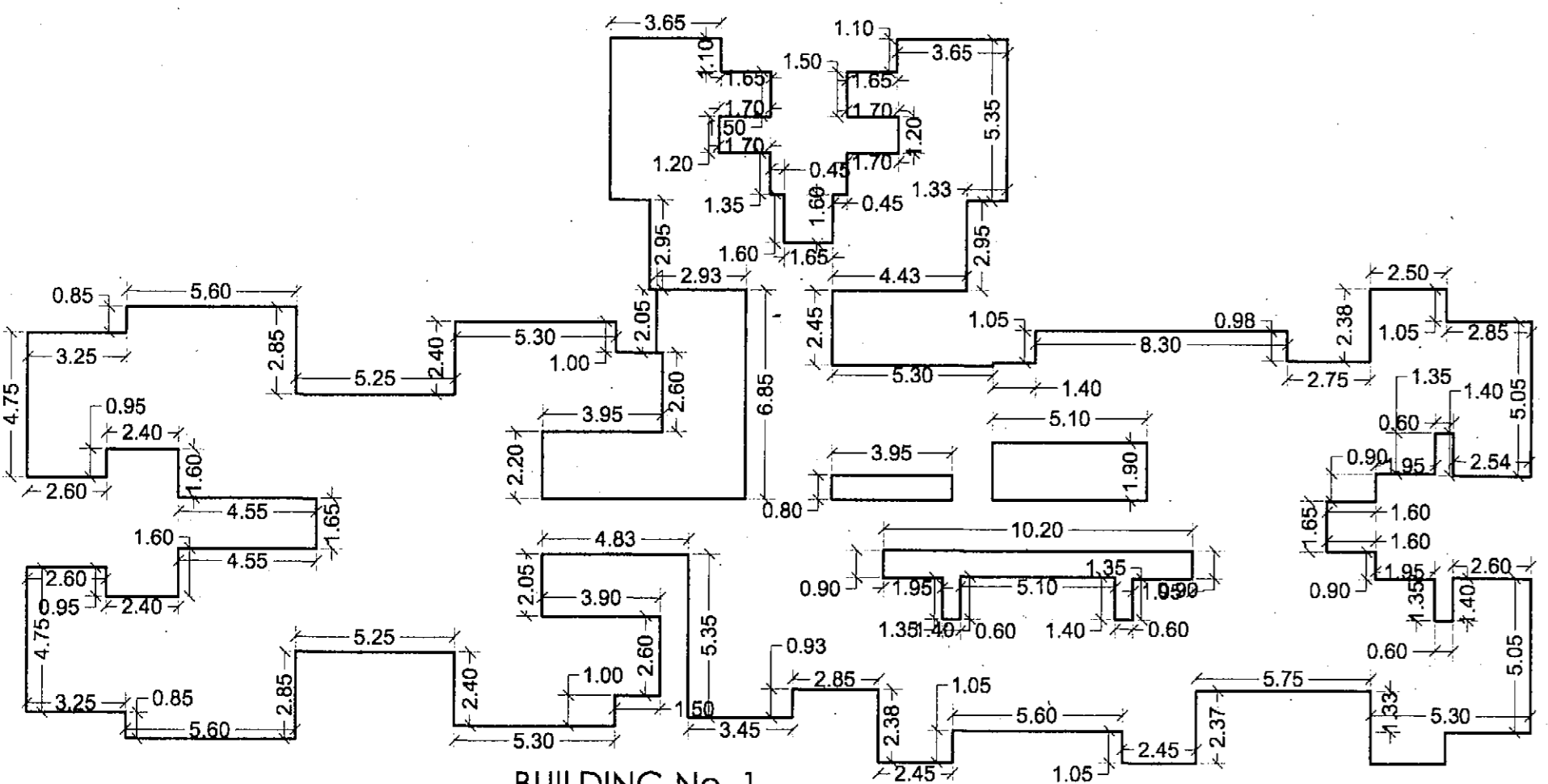
BUILDING No. 1
FLAT No.9
REFUGE AREA @ 8/13/18th FLOOR
SC.1:100



BUILDING No. 1
GROUND FL. STAIR AREA
SC.1:100

BUILDING No. 1
TYP. 1st To 23rd FLOOR PLAN
SC.1:100

BUILDING No. 1
1st FLOOR (P-LINE AREA)=
=565.70 - 51.19(Duct) =514.51sm.

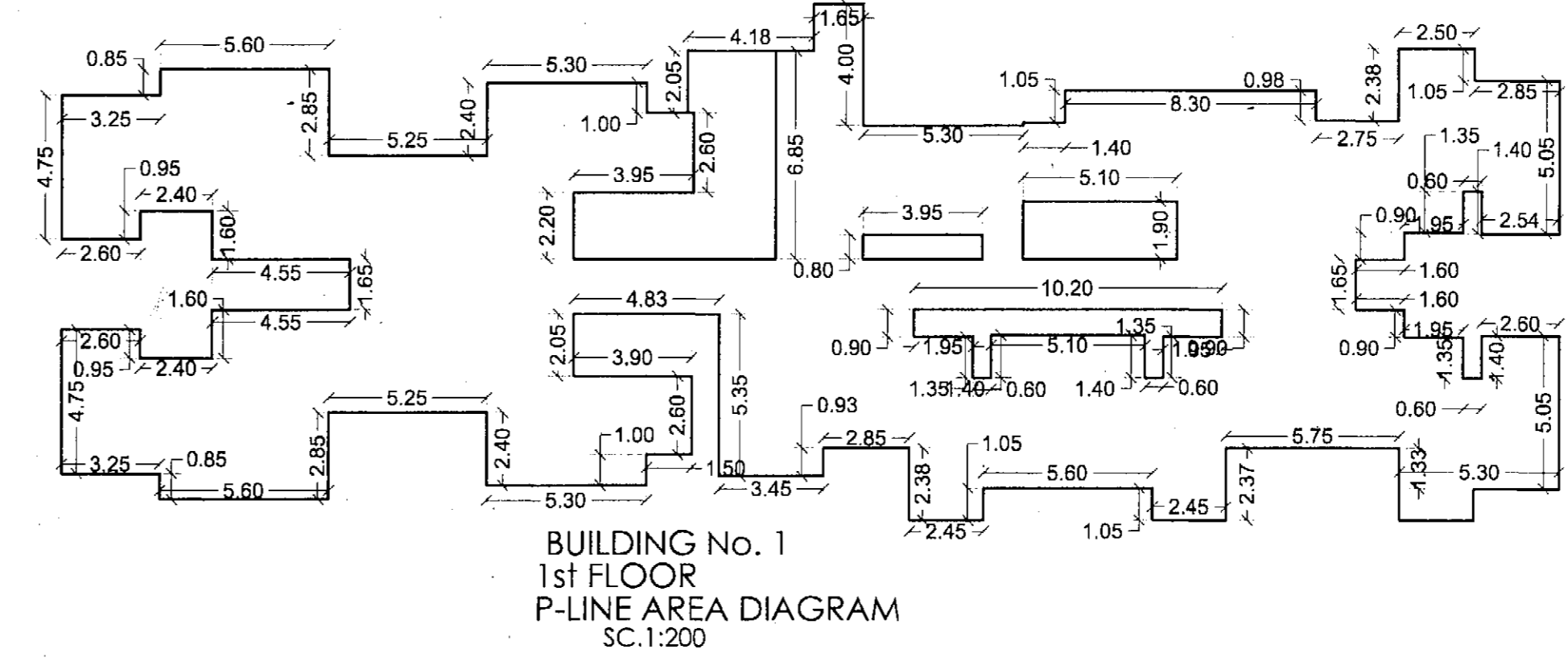


BUILDING No. 1
TYP. 2nd To 23rd FLOOR
P-LINE AREA DIAGRAM
SC.1:200

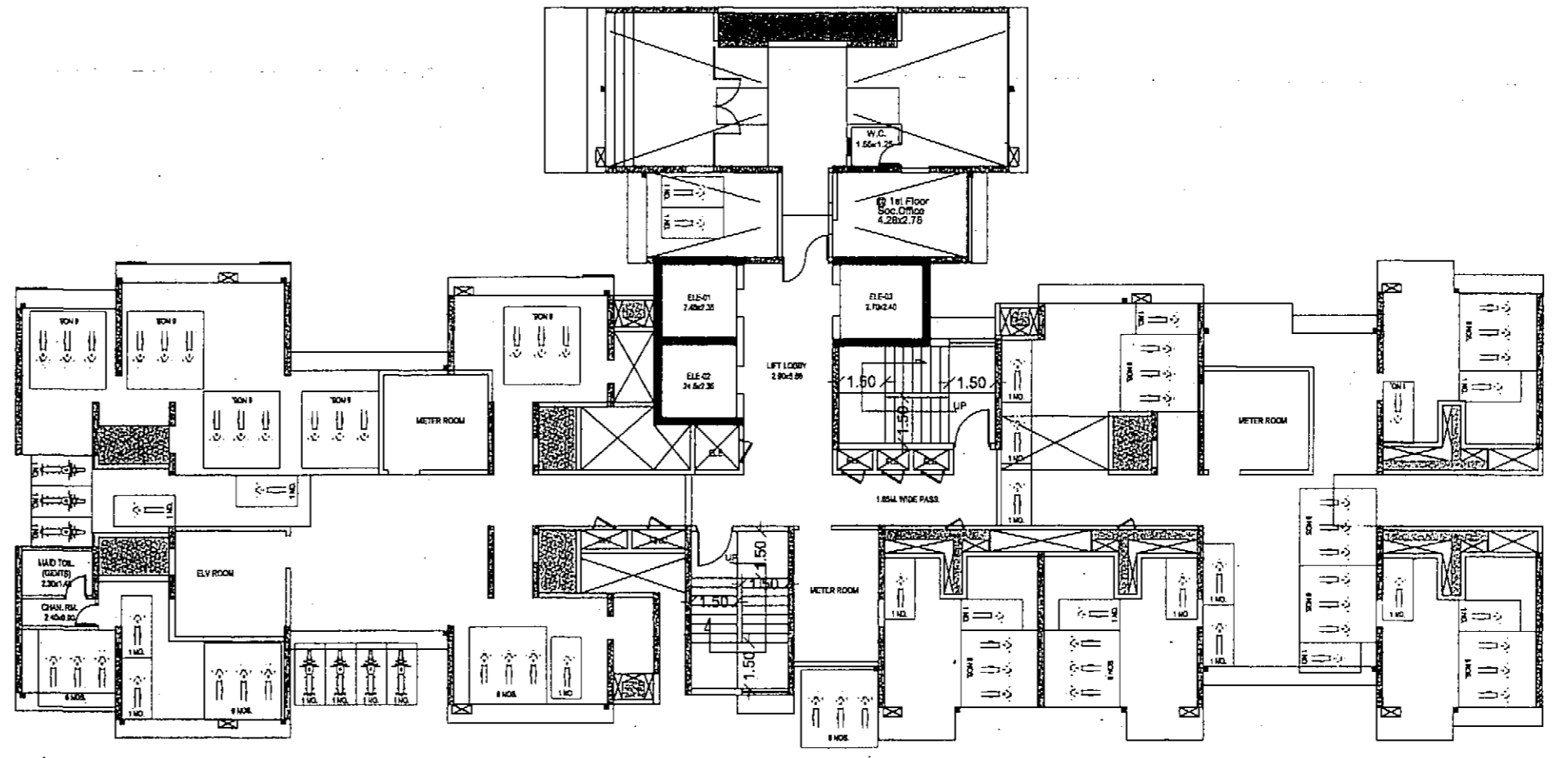
BUILDING No. 1
TYP. 2nd To 23rd FLOOR (P-LINE AREA)=
=640.99 - 51.19(Duct) =589.80sm.

SUMMARY
(PLOT-B,BUILDING-1)
PROPOSED P-LINE AREA STATEMENT

FLOOR	Proposed P-Line Area (SQ.M.)
GROUND	18.98(STAIR)
01	514.11
02	589.40
03	589.40
04	589.40
05	589.40
06	589.40
07	589.40
08	551.76
09	589.40
10	589.40
11	589.40
12	589.40
13	551.76
14	589.40
15	589.40
16	589.40
17	589.40
18	551.76
19	589.40
20	589.40
21	589.40
22	589.40
23	589.40
TOTAL	=13,386.97SM.



BUILDING No. 1
1st FLOOR
P-LINE AREA DIAGRAM
SC.1:200



BUILDING No. 1
GROUND FLOOR PLAN
SC.1:200

BUILDING No. 1 Table No. 8B - Parking Requirements

Sr. No.	Occupancy	Size of tenement	Total No. Flat	Parking Space Required			
				Required		Proposed	
1	Residential i) Multi - Family residential	For every tenement having carpet area of 150sq.m. and above.	Nil.	2x0=0	3x0=0	Nil.	Nil.
		For every tenement having carpet area equal to or above 80sq.m. but less than 150sq.m.	Nil.	1x0=0	3x0=0	Nil.	Nil.
		For every two tenements with each tenement having carpet area equal to or above 40sq.m. but less than 80sq.m.	46	1x23 =23	5x23 =115no.	23No.	115No.
		For every two tenements with each tenement having carpet area less than 40sq.m. but more than 30sq.m.	202	1x101 =101no.	2x101 =202no.	101no.	202no.
		For every two tenements with each tenement having carpet area less than 30sq.m.	Nil.	0x0 =0 no.	4x0 =0no.	Nil.	Nil.
		Additional 5% Visitor Parking		5%(124) =6.20no.	5%(317) =15.85no.	6.2no.	15.85no.
		Total Parking Required (x 0.8) As per Table No. 8c, Page No.145.		0.8x130.2 =104.16 no.	0.8x332.85 =266.28no.	105no.	256no.

Certificate :
CERTIFIED THAT THE PLANS PREPARED BY ME ARE IN ACCORDANCE WITH THE NORMS AS SPECIFIED BY INDIAN STANDARDS INSTITUTE.
SIGN. OF R.C.C. CONSULTANT

Owner's Declaration -
I/We undersigned hereby confirm that the plans approved by Authority / Collector. I/We would execute the structure as per approved plans. Also, we would execute the work under supervision of proper technical person so as to ensure the quality and safety of the work site.
OWNER - K.G.I. REALTY PVT. LTD. FOR. AMIT HOTCHANDANI

Job No.	Drawing No.	Scale	Drawn by	Rev.	Checked by	Registration No. Of
04	03	N.S.	VIKAS	R-10	V.P.	Architect - Vijay Pandey CA/9620081