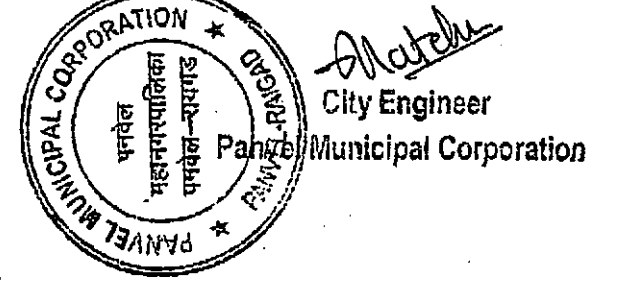
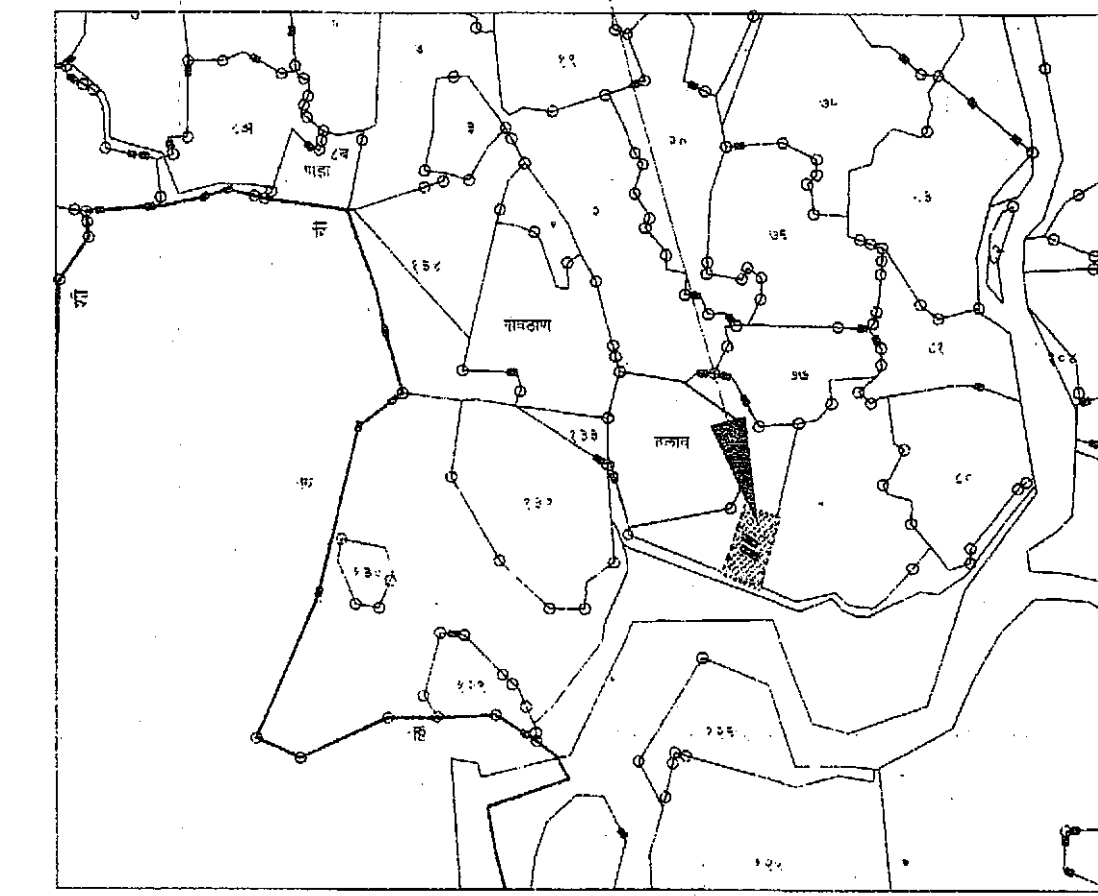


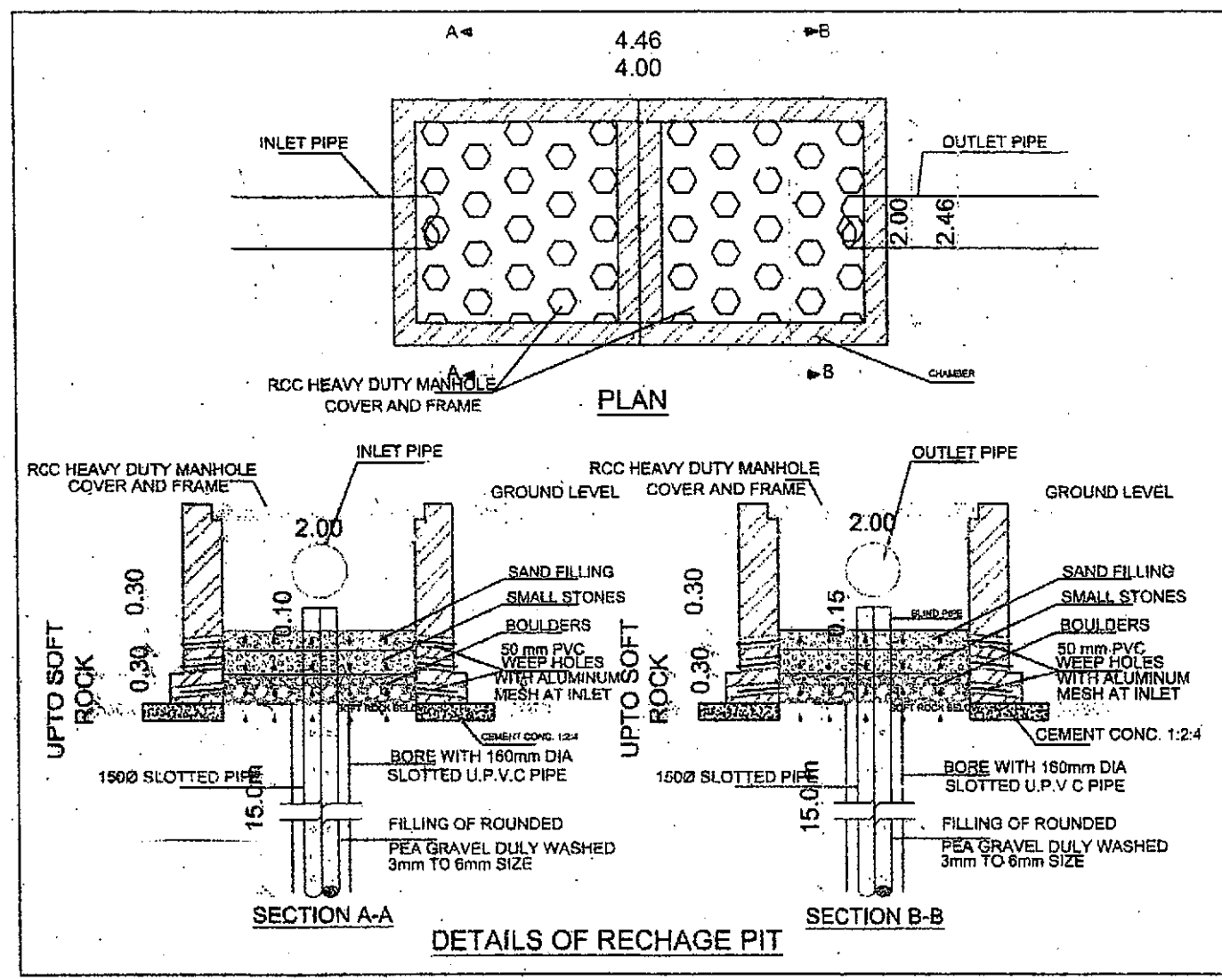
PANVEL MUNICIPAL CORPORATION
Approved subject to the condition mentioned
in this office letter No. PAN/EP/2017/294/8
Dtd. 27.12.2017



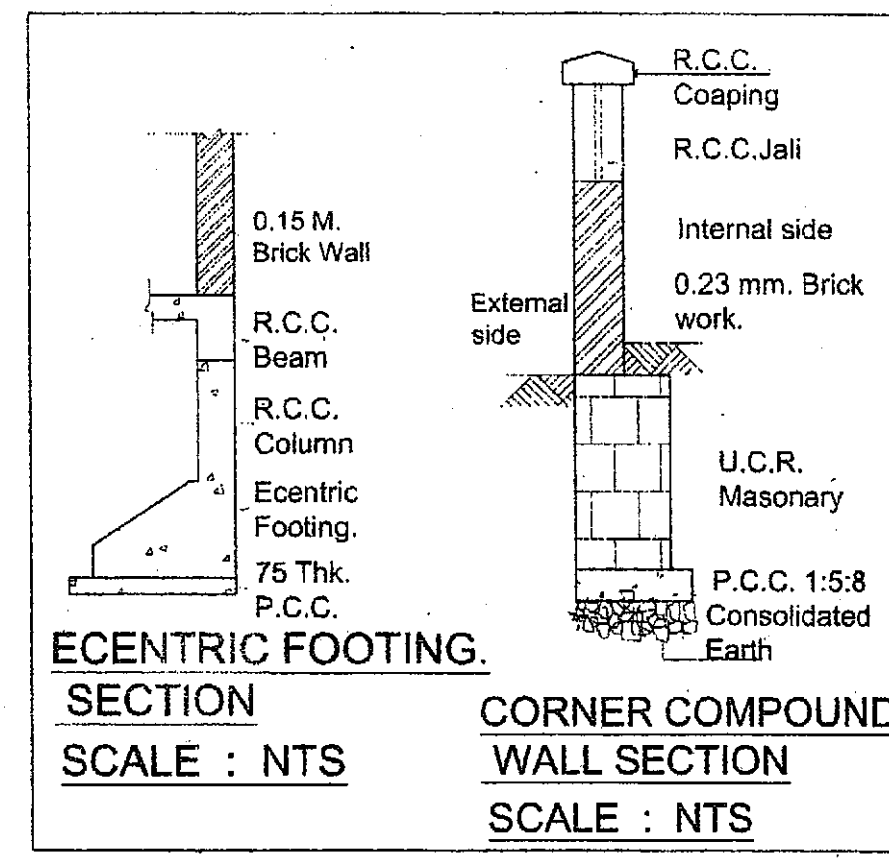
PROPOSED SITE
UNDER REFERENCE



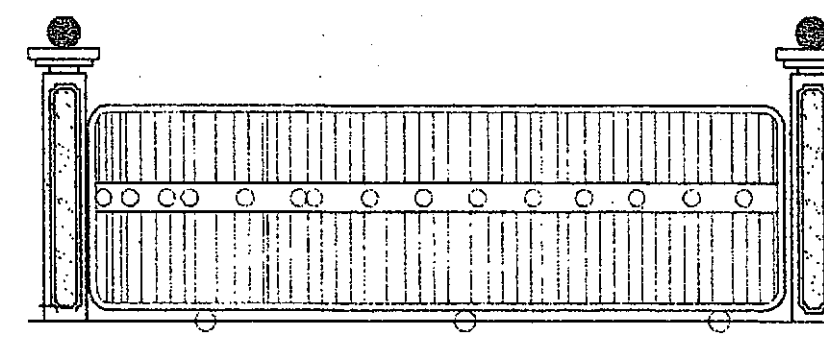
LOCATION PLAN
(SCALE - NTS)



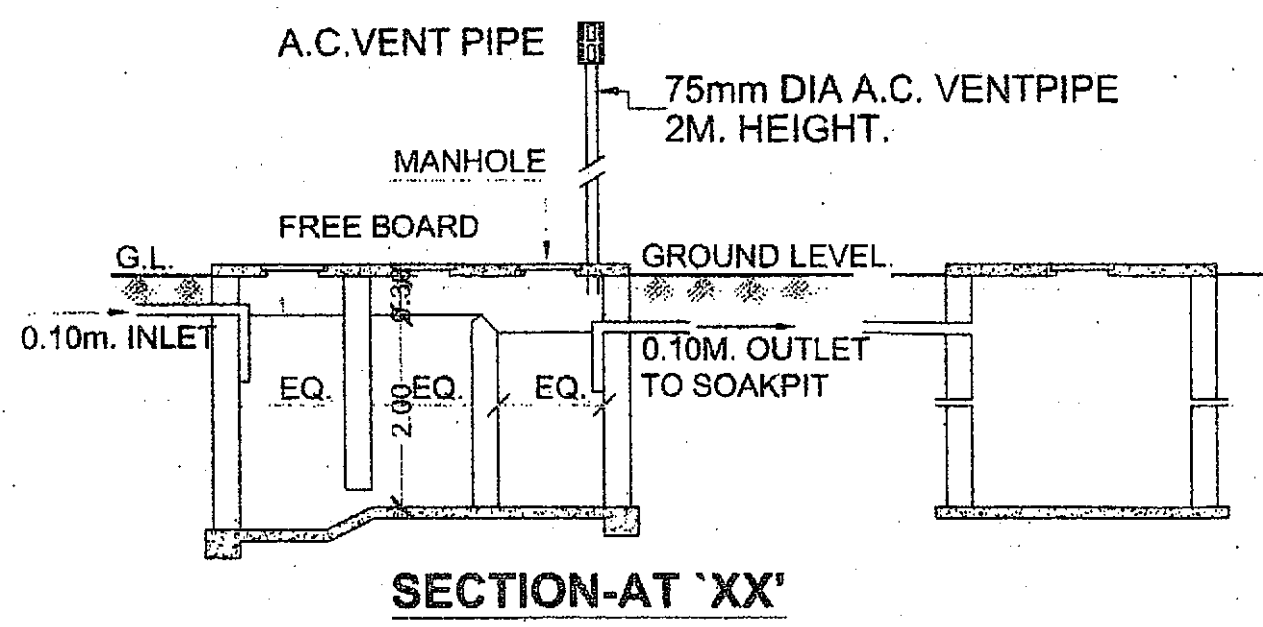
DETAILS OF RECHARGE PIT



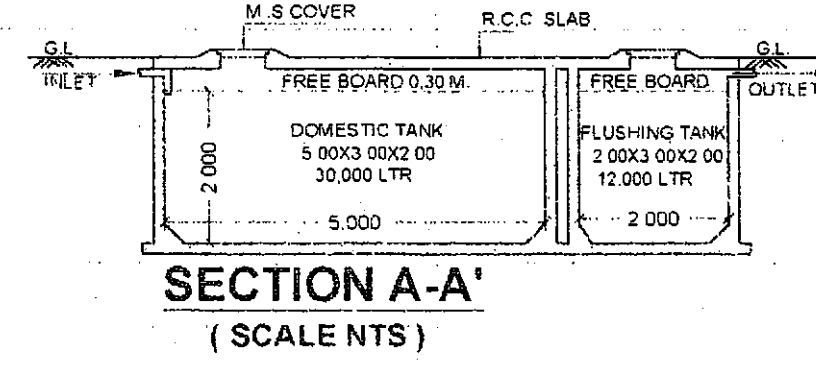
ECCENTRIC FOOTING SECTION
SCALE : NTS



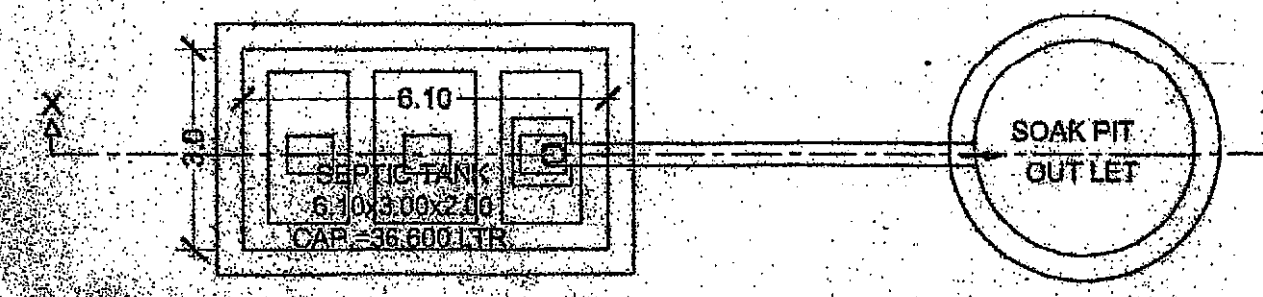
ELEVATION ENTRANCE GATE
SCALE : (NTS)



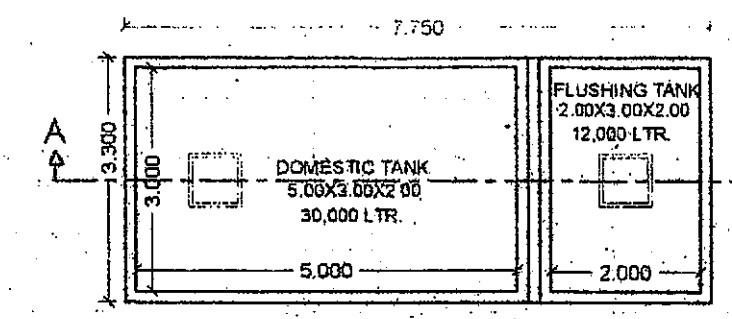
SECTION-A-A 'XX'



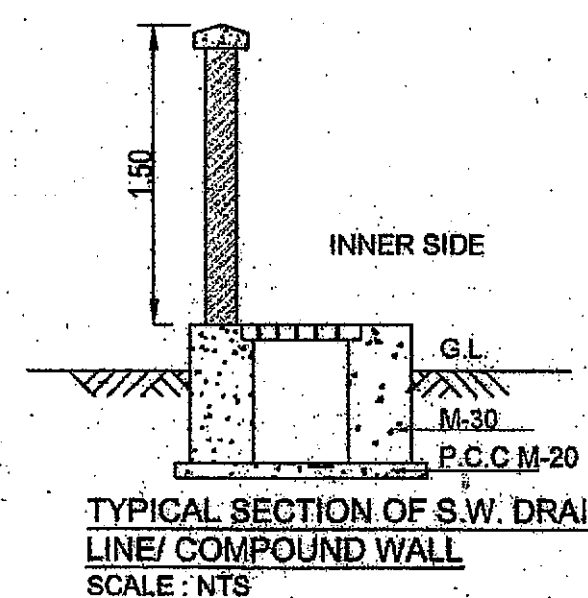
SECTION A-A'
(SCALE NTS)



PLAN OF SEPTIC TANK & SOAK PIT
(SCALE-NTS)



PLAN OF U.G. WATER TANK
(SCALE NTS)



TYPICAL SECTION OF S.W. DRAIN
LINE/COMPOUND WALL
SCALE : NTS

*** BUILTUP AREA STATEMENT**

FLOOR	BUILT UP AREA (A)	PERMISSIBLE BALCONY (B)	PROPOSED BALCONY ENCLOSED (C)	PROJECTED (D)	TOTAL BALCONY E = (C+D)	PERMISSIBLE TERRACE (F)	PROPOSED TERRACE (G)	TOTAL TERRACE (H)	CURBOARD AREA (I)
GROUND	138.600	20.790	8.220	6.660	14.880	0.000	0.000	0.000	0.000
FIRST	407.145	61.072	49.320	8.325	57.645	81.429	30.975	30.975	8.460
SECOND	407.145	61.072	49.320	8.325	57.645	81.429	30.975	30.975	8.460
THIRD	407.145	61.072	49.320	8.325	57.645	81.429	30.975	30.975	8.460
FOURTH	407.145	61.072	49.320	8.325	57.645	81.429	30.975	30.975	8.460
TOTAL	1767.180	265.077	205.500	39.960	245.460	325.716	122.670	122.670	33.840

**** Parking Requirements (As per Reg. No 16.1, Table No 07)**

Occupancy	One parking space for every	No of Tenements	Non covered required		required parking		Total proposed parking			
			CAR	SCOOTER	CAR	SCOOTER	CAR	SCOOTER		
			12.5	2	0.7	12.5	2	0.7	12.5	2
			Sqm	Sqm	Sqm	Sqm	Sqm	Sqm	Sqm	Sqm
			2.5x5	1x2	0.5x1.4	2.5x5	1x2	0.5x1.4	2.5x5	1x2
Residential	as per 02 tenements having	43	1	2	2	11	11	11	11	11
	(a) 02 tenements having									
	(b) 05 tenements having									
	(c) 04 tenements having R.U. Area									
	up to 30 Sqm									
	or per standards of development control &									
	provision regulations for regional plans in									
	metameters regulation no. 15.1, required no. of									
	parking shall be increased by 50% in metropolitan									
Total										

SEPTIC TANK REQUIREMENT

WINGS	DESCRIP TION	POPU- LATION PER UNIT	TOTAL POPU- LATION (APPROX)	COLD WATER REQUIREMENT		GROSS WATER REQUIREMENT		% FLOW TO SEWER		TOTAL FLOW	TOTAL REQUIRED CAPACITY	TOTAL PROVIDED STP TANK CAPACITY
				FLUSHING (A)	DOMESTIC (B)	FLUSHING (A+B)	100%	85%				
A & B	FLATS (43)	5	215	LPCD	LPD	LPCD	LPD	LPD	LPD	LPD	KLPD	KLPD
				54	11610	135	29025	40635	11610	24671.25	36281.25	36,281
TOTAL												36,600 LTRS

REQUIRED WATER CAPACITY CALCULATION (U.G. WATER TANK RESIDENTIAL UNITS)

WINGS	FLAT Nos.	REQUIRED DOMESTIC LTRS.	TOTAL DOM. LTRS. (A)	REQUIRED FLUSHING SQ LTRS. (B)	TOTAL FLUSHING LTRS. (A+B)	TOTAL LITRES (RES.) (A+B)
A & B	43	135 LTRS.	29025	54 X 43 X 5 = 11610	11610	40635
TOTAL	43	135 LTRS.	29025	11610	11610	40635

PROPOSED U.G. WATER TANK

DOMESTIC TANK	SIZE:- 5.00 X 3.00 X 2.00	30000
FLUSHING TANK	SIZE:- 2.00 X 3.00 X 2.00	12000
TOTAL PROVIDED WATER CAPACITY (IN LTRS)		42000

PROPOSED O.H. WATER TANK

WING	FLAT TANK	SIZE	CAPACITY
WING-A	DOM. TANK	3.00 X 2.60 X 1.50	11,895
WING-A	FLUSH. TANK	1.00 X 2.60 X 1.50	3,900
WING-B	DOM. TANK	2.75 X 2.60 X 1.50	10,725
WING-B	FLUSH. TANK	1.00 X 2.60 X 1.50	3,900
TOTAL PROPOSED O. H. WATER TANK			30,420 LTRS

AREA STATEMENT

SURVEY No.	78/4/2	AREA AS PER 7/12	1800.00	OWNERS NAME	GOPAL GOTIRAM RAJE RAJARAM GOTIRAM RAJE
------------	--------	------------------	---------	-------------	--

PLOT AREA CALCULATION

Sl. No.	Area	Area	Area	Area	Total
1	1771.529	1771.529	1771.529	1771.529	7086.126
2	0.000	0.000	0.000	0.000	0.000
3	1771.529	1771.529	1771.529	1771.529	7086.126
4	1771.529	1771.529	1771.529	1771.529	7086.126
5	1771.529	1771.529	1771.529	1771.529	7086.126
6	1771.529	1771.529	1771.529	1771.529	7086.126
7	1771.529	1771.529	1771.529	1771.529	7086.126
8	1771.529	1771.529	1771.529	1771.529	7086.126
9	1771.529	1771.529	1771.529	1771.529	7086.126
10	1771.529	1771.529	1771.529	1771.529	7086.126
11	1771.529	1771.529	1771.529	1771.529	7086.126
12	1771.529	1771.529	1771.529	1771.529	7086.126
13	1771.529	1771.529	1771.529	1771.529	7086.126
14	1771.529	1771.529	1771.529	1771.529	7086.126
15	1771.529	1771.529	1771.529	1771.529	7086.126
16	1771.529	1771.529	1771.529	1771.529	7086.126
17	1771.529	1771.529	1771.529	1771.529	7086.126
18	1771.529	1771.529	1771.529	1771.529	7086.126
19	1771.529	1771.529	1771.529	1771.529	7086.126
20	1771.529	1771.529	1771.529	1771.529	7086.126
21	1771.529	1771.529	1771.529	1771.529	7086.126
22	1771.529	1771.529	1771.529	1771.529	7086.126
23	1771.529	1771.529	1771.529	1771.529	7086.126
24	1771.529	1771.529	1771.529	1771.529	7086.126
25	1771.529	1771.529	1771.529	1771.529	7086.126
26	1771.529	1771.529	1771.529	1771.529	7086.126
27	1771.529	1771.529	1771.529	1771.529	7086.126
28	1771.529	1771.529	1771.529	1771.529	7086.126
29	1771.529	1771.529	1771.529	1771.529	7086.126
30	1771.529	1771.529	1771.529	1771.529	7086.126
31	1771.529	1771.529	1771.529	1771.529	7086.126
32	1771.529	1771.529	1771.529	1771.529	7086.126
33	1771.529	1771.529	1771.529	1771.529	7086.126
34	1771.529	1771.529	1771.529	1771.529	7086.126
35	1771.529	1771.529	1771.529	1771.529	7086.126
36	1771.529	1771.529	1771.529	1771.529	7086.126
37	1771.529	1771.529	1771.529	1771.529	7086.126
38	1771.529	1771.529	1771.529	1771.529	7086.126
39	1771.529	1771.529	1771.529	1771.529	7086.126
40	1771.529	1771.529	1771.529	1771.529	7086.126
41	1771.529	1771.529	1771.529	1771.529	7086.126
42	1771.529	1771.529	1771.529	1771.529	7086.126
43	1771.529	1771.529	1771.529	1771.529	7086.126
44	1771.529	1771.529	1771.529	1771.529	7086.126
45	1771.529	1771.529	1771.529	1771.529	7086.126
46	1771.529	1771.529	1771.529	1771.529	7086.126
47	1771.529	1771.529	1771.529	1771.529	7086.126
48	1771.529	1771.529	1771.529	1771.529	7086.126
49	1771.529	1771.529	1771.529	1771.529	7086.126
50	1771.529	1771.529	1771.529	1771.529	7086.126
51	1771.529	1771.529	1771.529	1771.529	7086.126
52	1771.529	1771.529	1771.529	1771.529	7086.126
53	1771.529	1771.529	1771.529	1771.529	7086.126
54	1771.529	1771.529	1771.529	1771.529	7086.126
55	1771.529	1771.529	1771.529	1771.529	7086.126
56	1771.529	1771.529	1771.529	1771.529	7086.126
57	1771.529	1771.529	1771.529	1771.529	7086.126
58	1771.529	1771.529	1771.529	1771.529	7086.126
59	1771.529	1771.529	1771.529	1771.529	7086.126
60	1771.529	1771.529	1771.529	1771.529	7086.126
61	1771.529	1771.529	1771.529	1771.529	7086.126
62	1771.529	1771.529	1771.529	1771.529	7086.126
63	1771.529	1771.529	1771.529	1771.529	7086.126
64	1771.529	1771.529	1771.529	1771.529	7086.126
65	1771.529	1771.529	1771.529	1771.529	7086.126
66	1771.529	1771.529	1771.529	1771.529	7086.126
67	1771.529	1771.529	1771.529	1771.529	7086.126
68	1771.529	1771.529	1771.529	1771.529	7086.126
69	1771.529	1771.529	1771.529	1771.529	7086.126
70	1771.529	1771.529	1771.529	1771.529	7086.126
71	1771.529	1771.529	1771.529	1771.529	7086.126
72	1771.529	1771.529	1771.529	1771.529	7086.126
73	1771.529	1771.529	1771.529	1771.529	7086.126
74	1771.529	1771.529	1771.529	1771.529	7086.126
75	1771.529	1771.529	1771.529	1771.529	7086.126
76	1771.529	1771.529	1771.529	1771.529	7086.126
77	1771.529	1771.529	1771.529	1771.529	7086.126
78	1771.529	1771.529	1771.529	1771.529	7086.126
79	1771.529	1771.529	1771.529	1771.529	7086.126
80	1771.529	1771.529	1771.529	1771.529	7086.126
81	1771.529	1771.529	1771.529	1771.529	7086.126
82	1771.529	1771.529	1771.529	1771.529	7086.126
83	1771.529	1771.529	1771.529	1771.529	7086.126
84	1771.529	1771.529	1771.529	1771.529	7086.126
85	1771.529	1771.529	1771.529	1771.529	7086.126
86	1771.529	1771.529	1771.529	1771.529	7086.126
87	1771.529				