

AREA STATEMENT COMPOSITE BLDG. SALE WING (A, B, C, D)

Table with columns for Block, Area, and Total, detailing area statements for Composite Bldg. Sale Wing (A, B, C, D).

AREA STATEMENT COMPOSITE BLDG. RETAIL WING (E, F)

Table with columns for Block, Area, and Total, detailing area statements for Composite Bldg. Retail Wing (E, F).



PHYSICAL R/G AREA LINE DIAGRAM

R/G AREA CALCULATION

PLAID R/G AREA LINE DIAGRAM

AREA STATEMENT OF PLUMBING RETAIL WING (WING E & F)

THE DEVELOPER SHALL BE RESPONSIBLE FOR THE ACCURACY OF ALL MEASUREMENTS AND CALCULATIONS.

TENEMENT STATEMENT COMPOSITE BLDG. SALE WING (A, B, C, D)

Table with columns for Block, Area, and Total, detailing tenement statements for Composite Bldg. Sale Wing (A, B, C, D).

TENEMENT STATEMENT FOR RETAIL WING (E & F)

Table with columns for Block, Area, and Total, detailing tenement statements for Retail Wing (E & F).

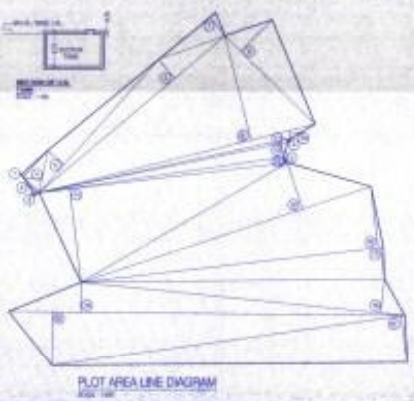
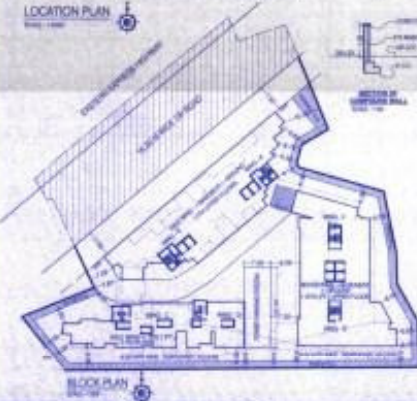


Table for Plot Area Calculation with columns for Block, Area, and Total, detailing plot area calculations.



Table for Fitness Center Area Calculation with columns for Block, Area, and Total, detailing fitness center area calculations.

Large table for Area Statement of Plumbing Retail Wing (Wing E & F) with multiple columns for Block, Area, and Total.

PROFORMA W section containing various forms, signatures, and stamps including 'STAMP OF DATE OF RECEIPT OF PLANS', 'STAMP OF DATE OF APPROVAL OF PLANS', and 'STAMP OF APPROVAL OF PLANS'.